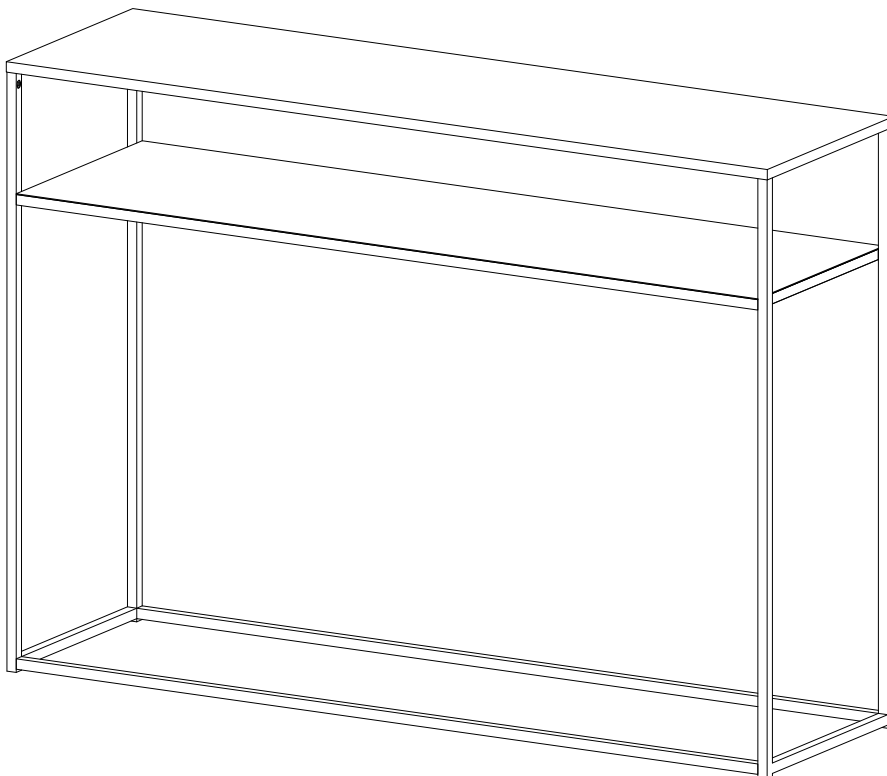


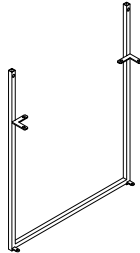
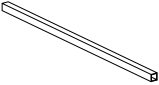




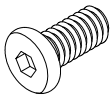


Console Table  
CF1400



# PART LIST

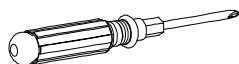
			
<p>Table Top 1 PC</p>	<p>Shelf Panel 1 PC</p>	<p>Side Panel 2 PCS</p>	<p>Bottom Rail 2 PCS</p>

# HARDWARE LIST

		
<p>1/4" x 3/8"L Bolt 40 PCS (Extra 1)</p>	<p>Allen Wrench 1 PC</p>	<p>Safety Strap Kit 1 SET</p>

## ADDITIONAL TOOLS (Not Provided)

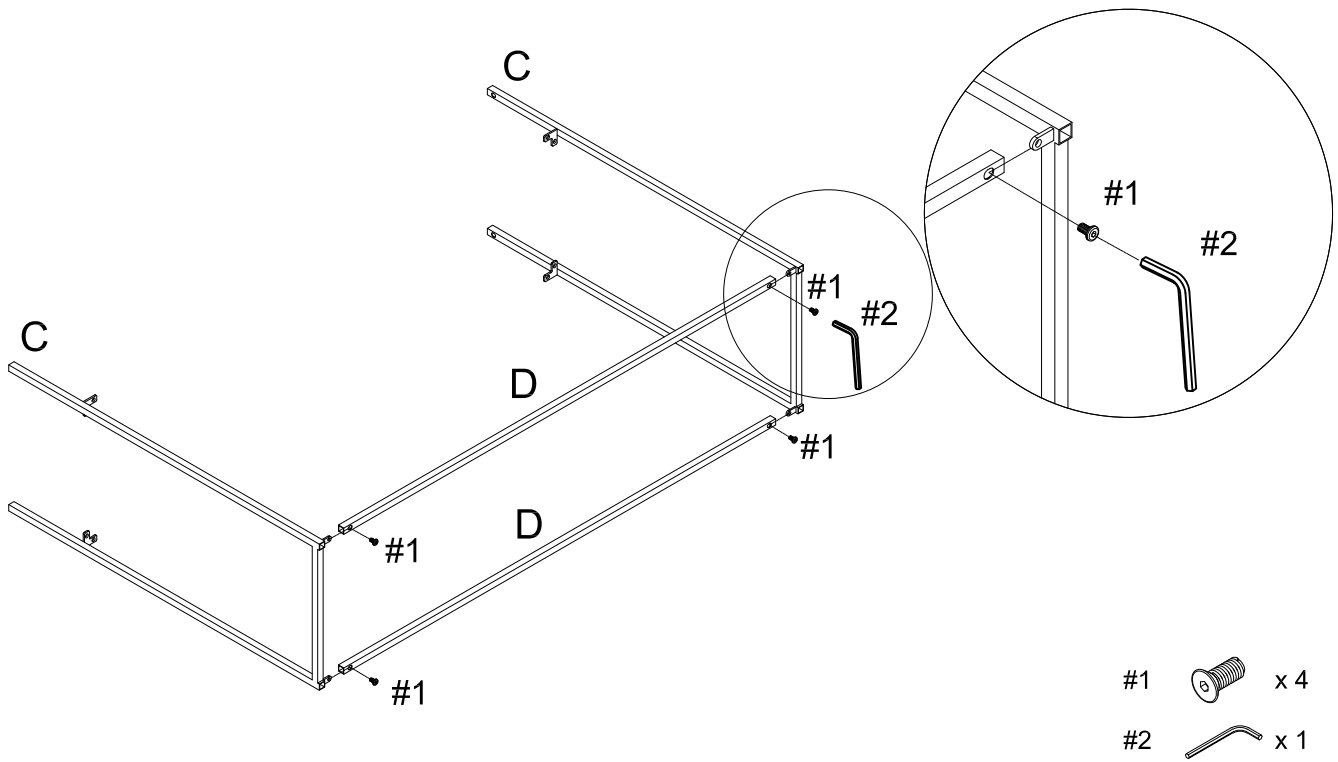
Note: It is not recommended to use power tools during assembly.



Phillips Head Screwdriver

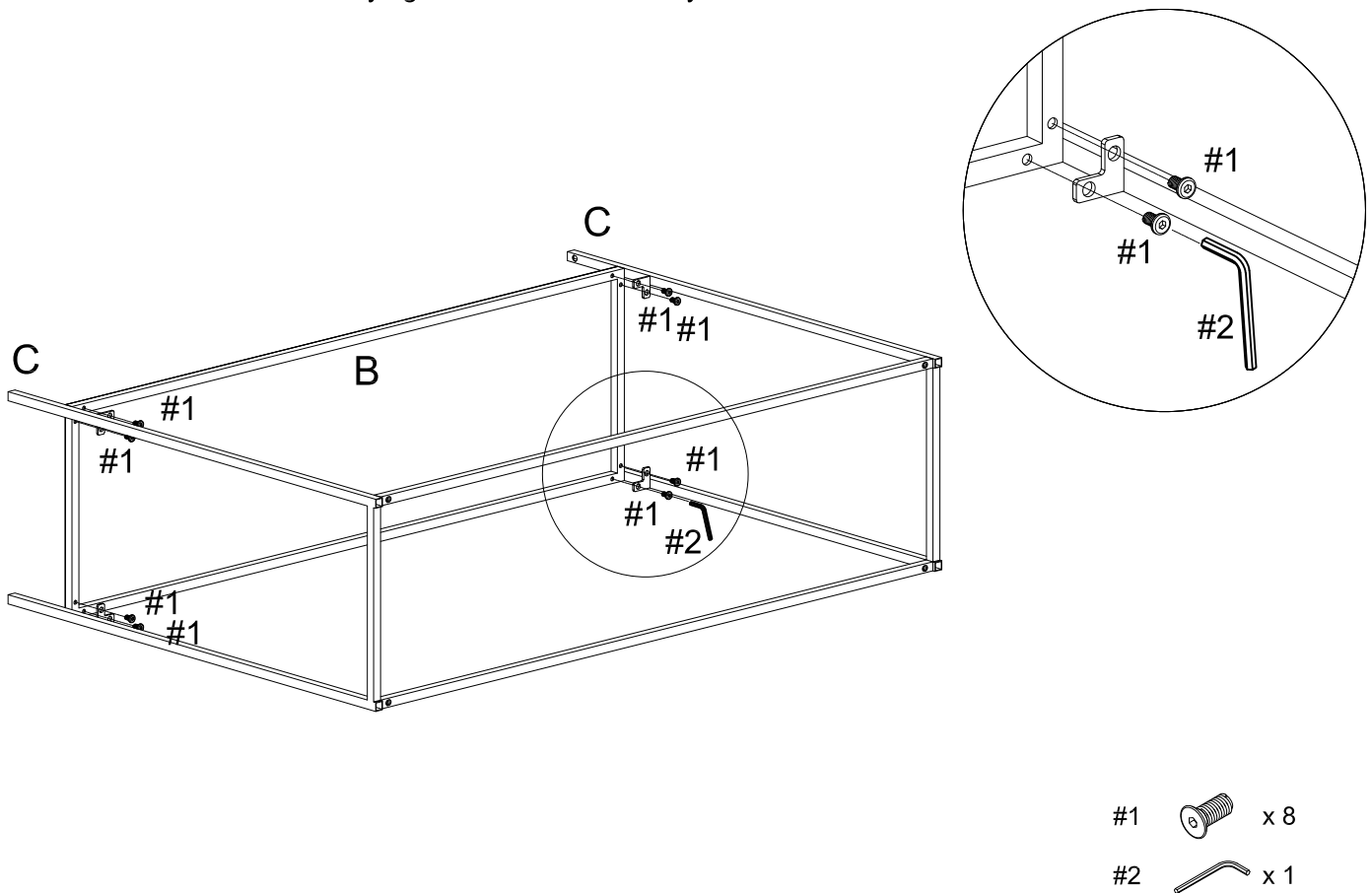
Step 1. Lay down side panels (part C) on a flat, soft surface, such as carpet. Insert bottom rails (part D) into side panels (part C) using bolts (part #1) and allen wrench (part #2).

Note: Please do not fully tighten bolts until it is fully assembled.



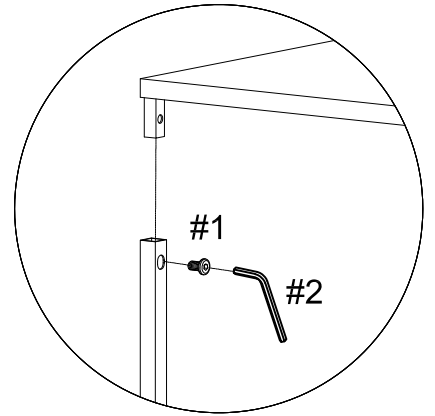
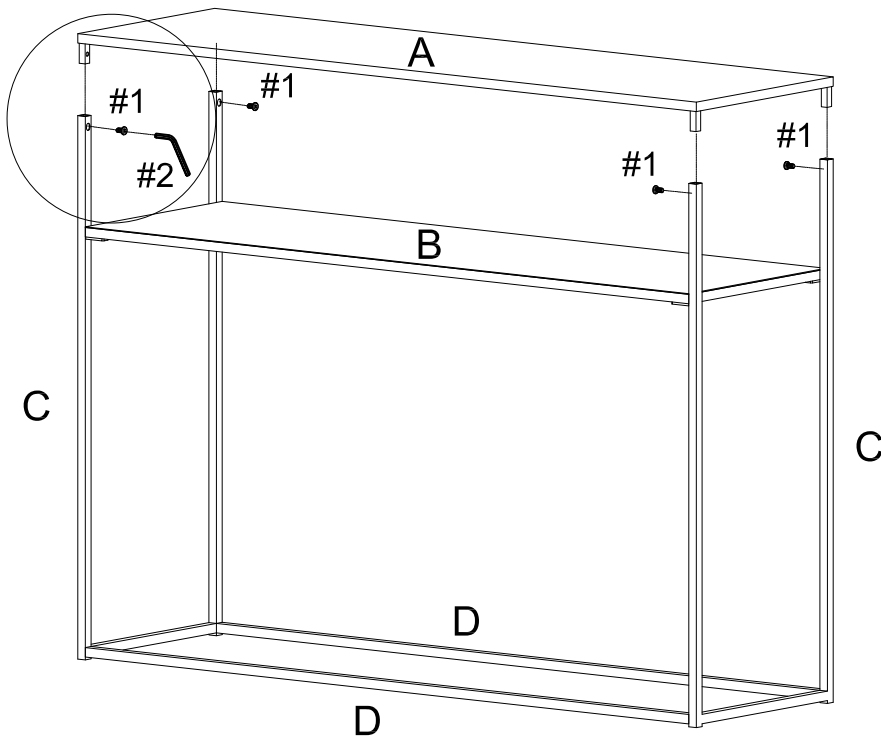
Step 2. Attach shelf panel (part B) on the L brackets of side panels (part C) using bolts (part #1) and allen wrench (part #2).

Note: Please do not fully tighten bolts until it is fully assembled.


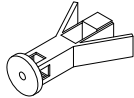






Step 3. Carefully turn assembled unit upright. Insert table top (part A) into side panels (part C) using bolts (part #1) and allen wrench (part #2).

Note: Please fully tighten all bolts at this time.



- #1  x 4
- #2  x 1

#3	A	B	C	D	E
					
Safety Strap Kit 1 SET	Wall Anchor 1 PC	Hook 2 PCS	Screw 1 PC D8 x 1-1/2"	Bolt 1 PC D10 x 1/2"	Safety Wall Strap 1 PC

## SAFETY WALL STRAP INSTALLATION

Note: It is highly recommended to install this safety strap kit to prevent tipping, damage and/or injury.

1) Insert bolt (D) through hook (B) and attach to predrilled hole in table top (part A) using a philips head screwdriver.

2) Drill 1 1/32" hole in the wall where this unit will be secured. The drilled hole will be at the same height as the hole in table top (part A) where hook (B) was attached. Tap wall anchor (A) into the drilled hole.

3) Insert screw (C) through hook (B) into wall anchor (A) using a philips head screwdriver.

4) Insert safety wall strap (E) through both hooks (B) and tighten to secure.

Note: This item is not intended for clothing storage use.

